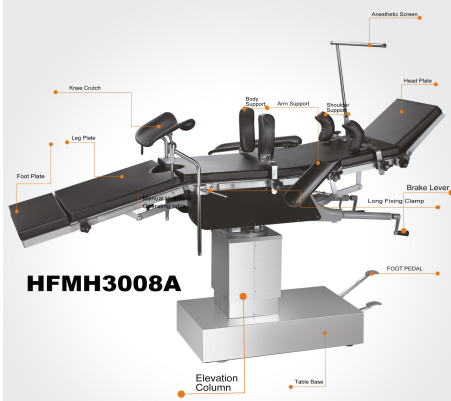


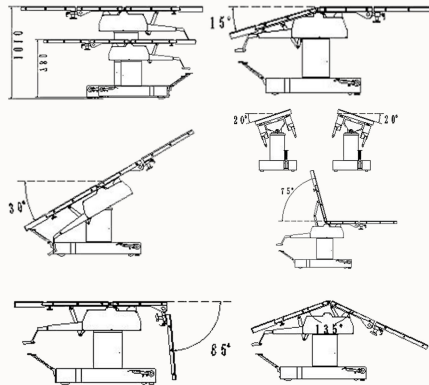
HFMED™ YOUR IDEAL OPERATING TABLE SUPPLIER
MEET THE VARIOUS REQUIREMENTS OF GENERAL SURGERY

HFMH3008A
[MOTIONS OF TABLETOP]



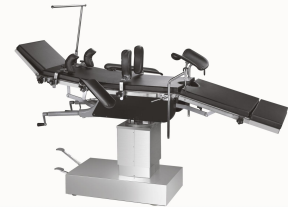
HFMH3008A

HFMH3008A
operation position sketch



Main Technical Data

HFMH3008A Manual Hydraulic Operating table	
Tabletop Length	2080mm
Tabletop Width	480mm
Elevation (down/up)	780/1020mm
Trendelenburg/Reverse Trendelenburg	25°/25°
Lateral Tilt(left/right)	20°/20°
Head Rest(up/down)	30°/90°
Leg plate(up/down)	90°
Foot Plate Horizontal Positioning	90°
Back Plate(up/down)	90°/10°
Kidney Bridge Elevation	120mm



HFMED™

HFMED™