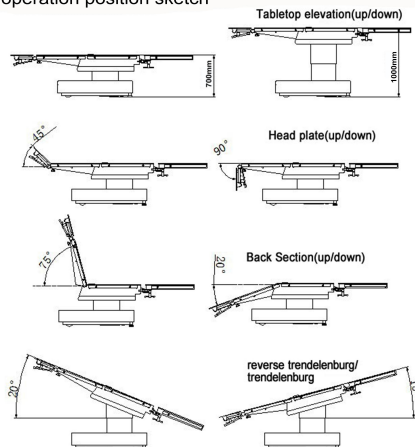


**HFEOT99**

**HFEOT99**  
operation position sketch



**Main Technical Data**

HFEOT99	
Tabletop Length	2070mm
Tabletop Width	550mm
Elevation (down/up)	700/1000mm
Trendelenburg/Reverse Trendelenburg	25°/25°
Lateral Tilt(left/right)	15°/15°
Head Rest(up/down)	45°/90°
Foot Plate(up/down& Horizontal Positioning)	15°/90°/90°
Back Plate(up/down)	75°/20°
Kidney Bridge	110mm
Longitudinal Sliding	300mm
Power	220V 50Hz 1.0kW

